

# Maru Side Table

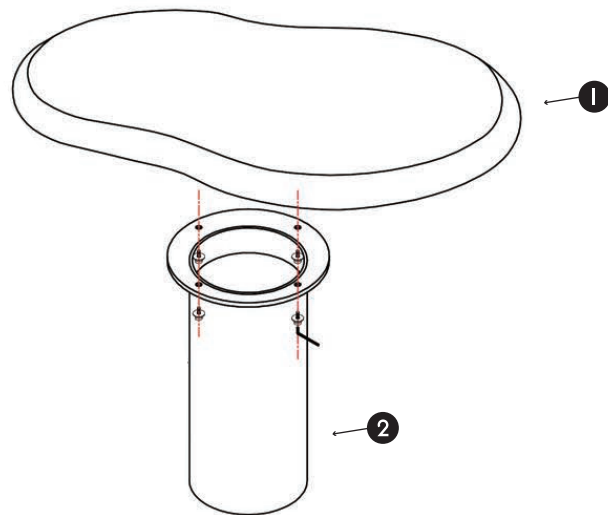
ASSEMBLY INSTRUCTION

DARCYANDDUKE.COM.AU

f @DARCYANDDUKE

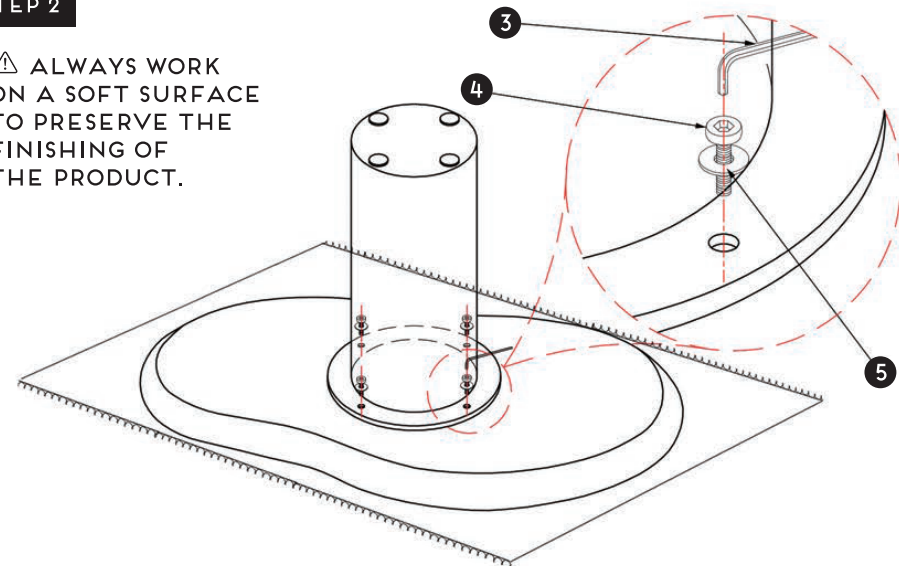
DARCY  
& DUKE

## STEP 1

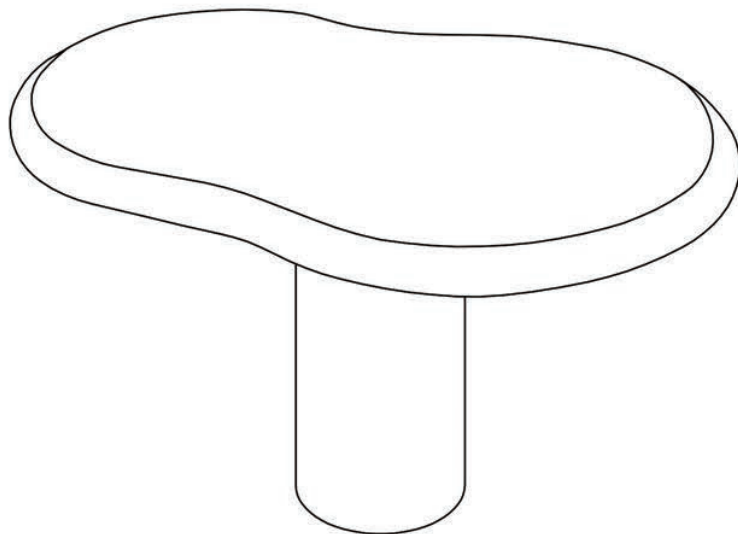


## STEP 2

⚠ ALWAYS WORK ON A SOFT SURFACE TO PRESERVE THE FINISHING OF THE PRODUCT.



## FINISHED



## ALL PARTS LIST

NO.	DESCRIPTION OF PARTS	QTY/PC
1	TABLE TOP	1
2	TABLE BASE	1
3	WRENCH	1
4	M8 SCREW 25MM	4
5	WASHER	4



## MICROCEMENT CARE INSTRUCTIONS

TO AVOID DAMAGING THE MICROCEMENT TABLE, DO NOT DRAG HEAVY OBJECTS OVER THE SURFACE. ALWAYS USE COASTERS FOR HOT AND COLD COOKWARE (ESPECIALLY WHEN MADE OF STAINLESS STEEL) TO PREVENT DIRECT CONTACT WITH THE SURFACE. SHARP OBJECTS SHOULD ALSO BE AVOIDED.

IT IS RECOMMENDED TO USE COASTERS OR TABLE LINENS TO PREVENT SPILLS. IN CASE OF ANY SPILLAGE, REMOVE IT IMMEDIATELY USING A DAMP CLOTH AND PH NEUTRAL CLEANER.

TO CLEAN THE MICROCEMENT TABLETOP, USE A WET CLOTH TO WIPE AWAY WEAK ACID AND WEAK ALKALINE POLLUTANTS LIKE OYSTER SAUCE, SOY SAUCE, COFFEE, RED WINE, COLA, OIL STAINS, TEA STAINS, ETC. ANY SPILLS SHOULD BE REMOVED PROMPTLY.

ALTHOUGH MICROCEMENT IS HIGHLY TOLERANT OF CHEMICAL AGENTS, IT'S BEST TO AVOID DIRECT CLEANING WITH DETERGENTS AND OTHER HIGH-STRENGTH CLEANING PRODUCTS, AS THEY CAN DAMAGE THE PROTECTIVE FILM OF THE TABLE SURFACE. WE RECOMMEND MIXING AN APPROPRIATE AMOUNT OF NEUTRAL SOAP IN WARM WATER (THE BEST RATIO IS 20:1), WETTING A SOFT CLOTH AND THEN WIPING THE TABLE DOWN.

KEEP THE MICROCEMENT TABLETOP DRY AT ALL TIMES. AFTER EATING, WIPE IT WITH A SLIGHTLY DAMP, SOFT CLOTH, AND THEN DRY IT WITH A DRY CLOTH OR NAPKIN TO ENSURE IT REMAINS DRY.

DO NOT USE AN OIL PEN TO PAINT OR WRITE ON THE SURFACE OF THE MICROCEMENT TABLETOP, AS IT CAN CAUSE MARKS THAT CANNOT BE CLEANED UP.

FOR OPTIMAL PROTECTION OF THE MICROCEMENT TABLETOP, IT IS RECOMMENDED TO APPLY MICROCEMENT WAX TWICE A YEAR.