

Hex Dining Table

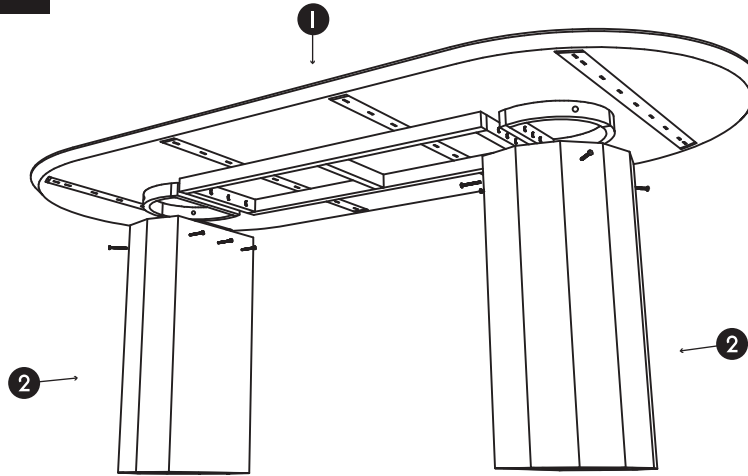
ASSEMBLY INSTRUCTION

DARCYANDDUKE.COM.AU

f @DARCYANDDUKE

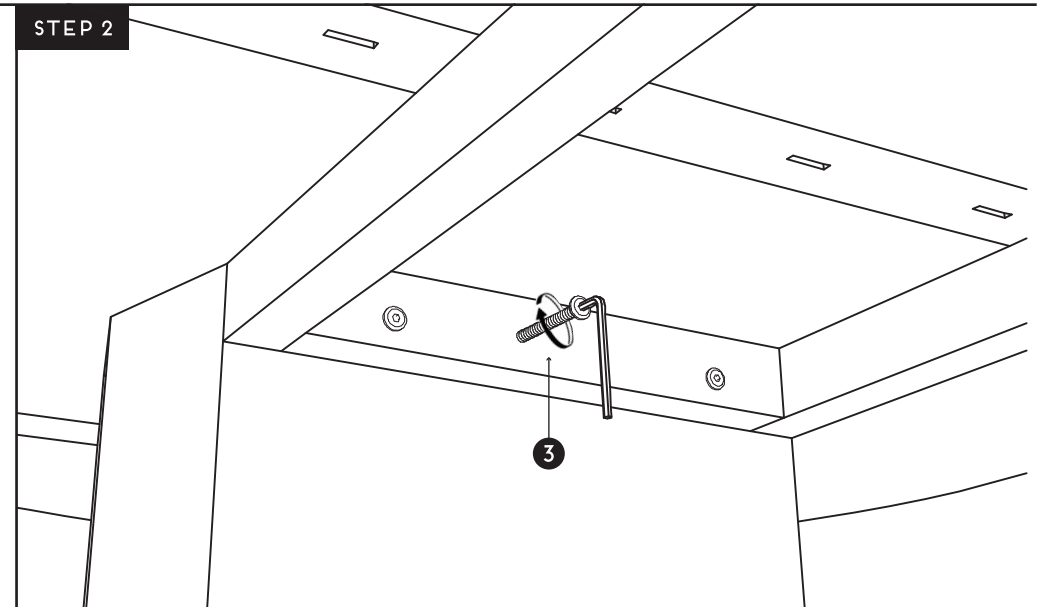
DARCY
& DUKE

STEP 1

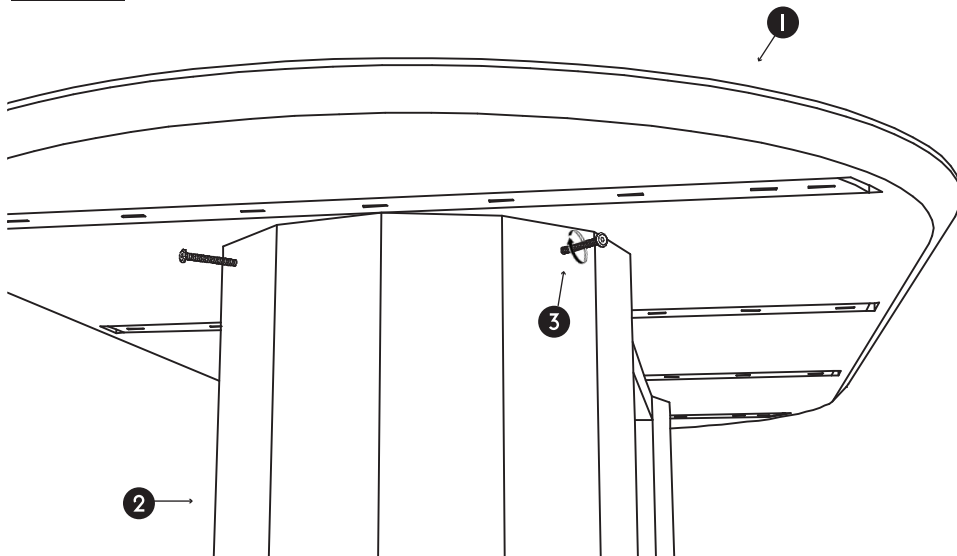


ASSEMBLE THE TABLE PUTTING THE TOP ON THE BASE.

STEP 2



STEP 3



ALL PARTS LIST

NO.	DESCRIPTION OF PARTS	QTY/PC
1	TABLE TOP	1
2	TABLE BASE	2
3	M6 X 50MM	10
4	ALLEN KEY	1