

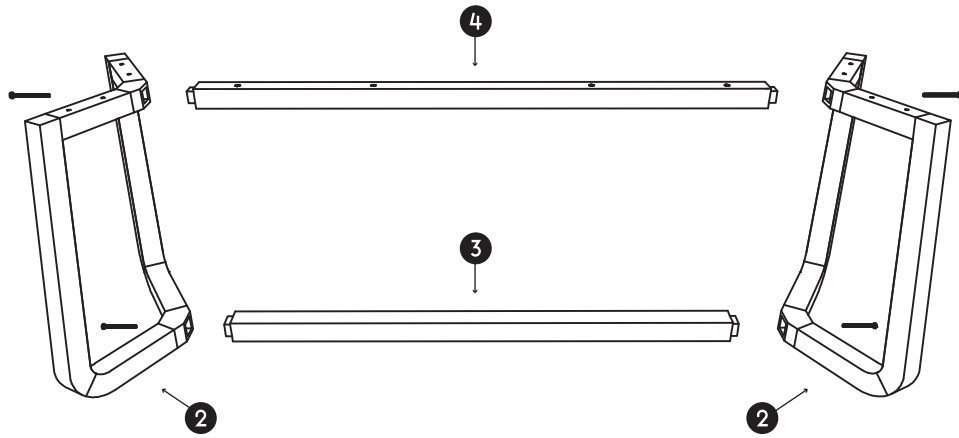
Flow Dining Table

ASSEMBLY INSTRUCTION

DARCYANDDUKE.COM.AU

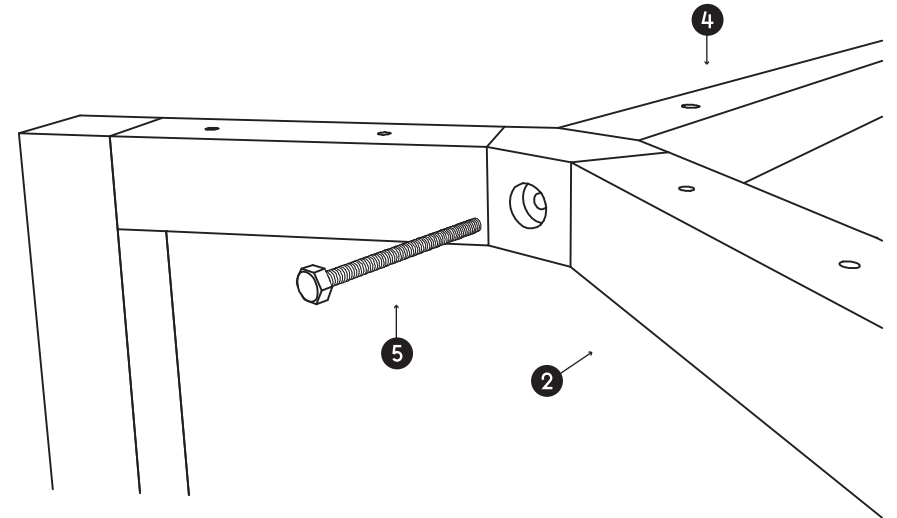
f @DARCYANDDUKE

DARCY & DUKE



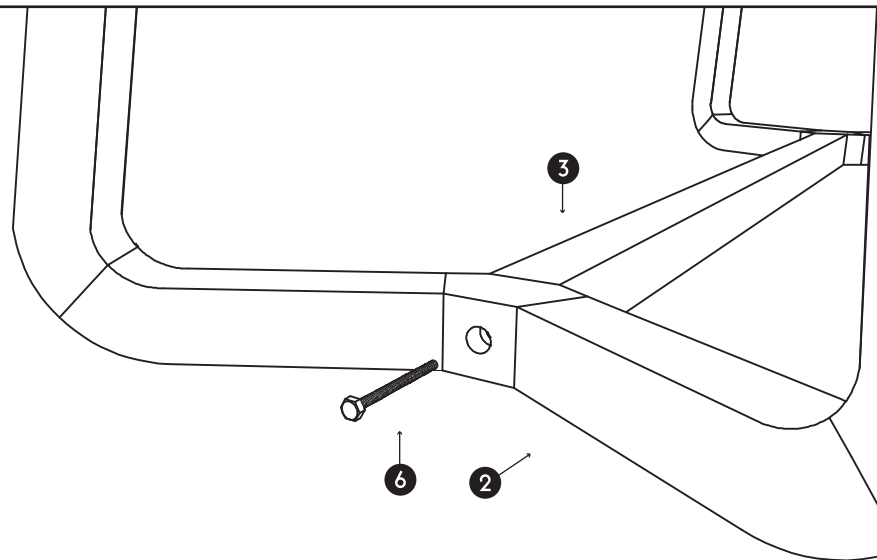
ASSEMBLE THE TABLE BASE CONNECTING THE TWO SUPPORTS TO THE LEGS

STEP 1



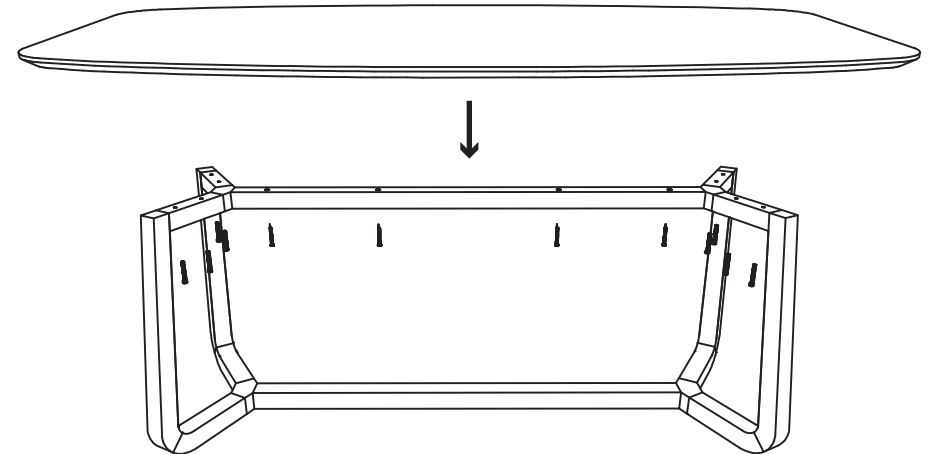
SECURE THE TOP SUPPORT USING TWO HEKSABOLTS M8 X 70MM

STEP 2



SECURE THE BOTTOM SUPPORT USING TWO HEKSABOLTS M8 X 100MM

STEP 3



Flow Dining Table

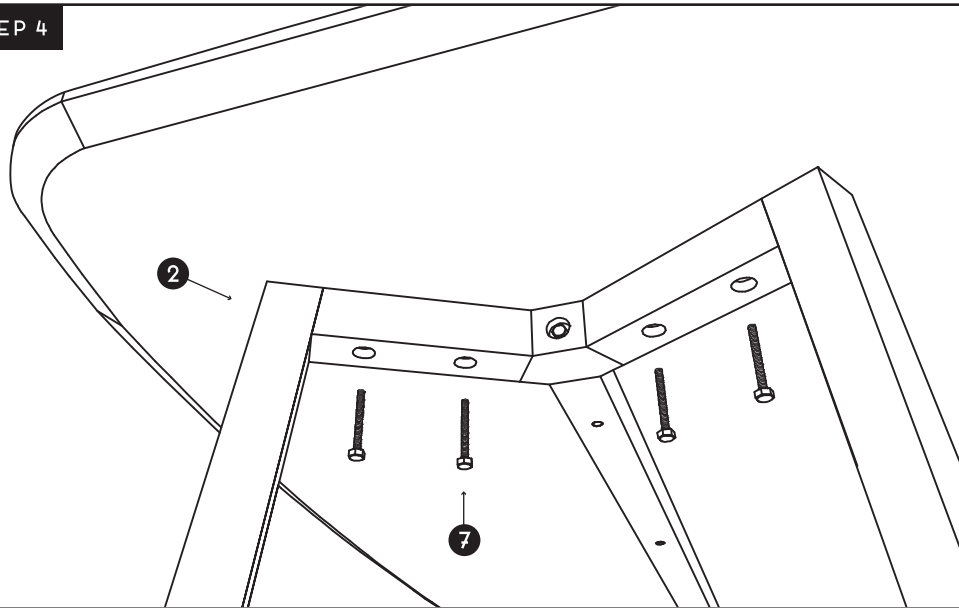
ASSEMBLY INSTRUCTION

DARCYANDDUKE.COM.AU

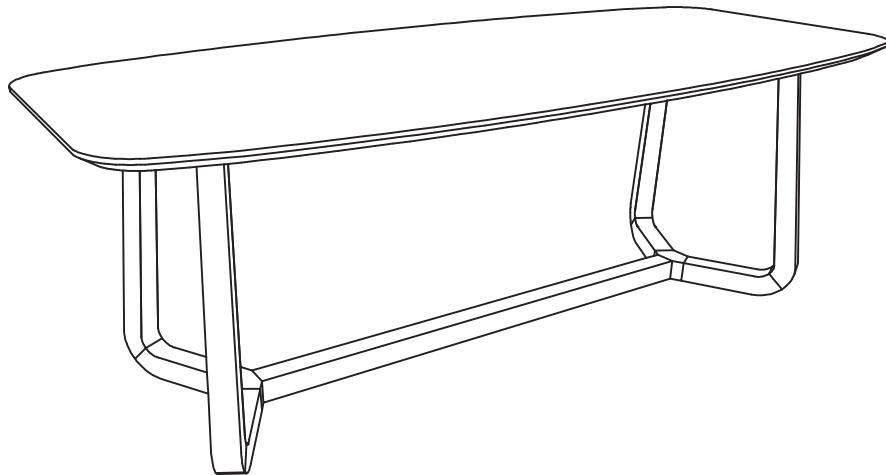
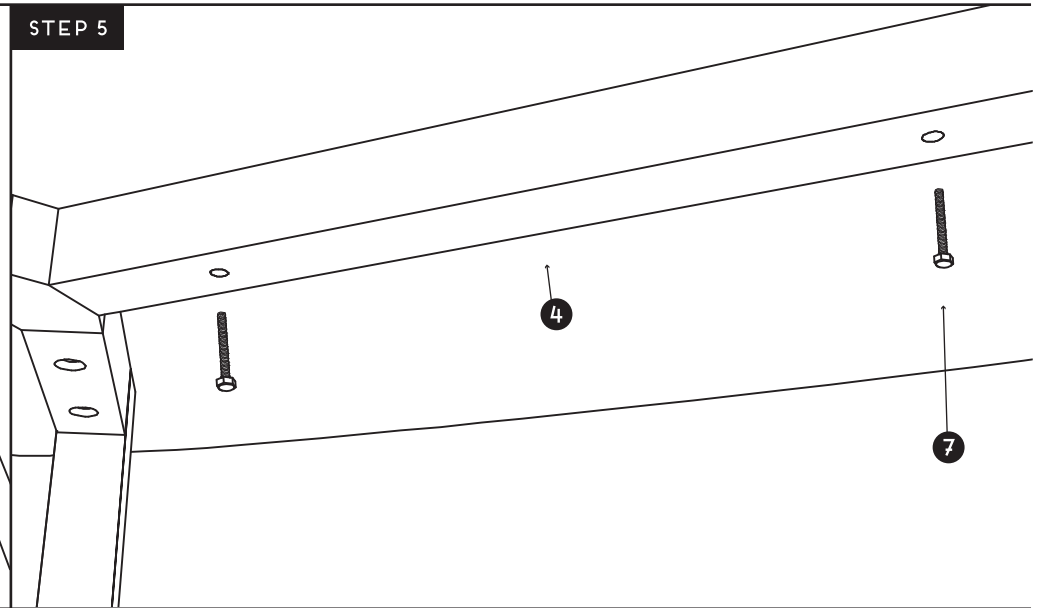
f @DARCYANDDUKE

DARCY & DUKE

STEP 4



STEP 5



ALL PARTS LIST

NO.	DESCRIPTION OF PARTS	QTY/PC
1	TABLE TOP	1
2	TABLE BASE LEGS	2
3	TABLE BASE SUPPORT	1
4	TABLE BASE SUPPORT	1
5	HEKSABOLT M8 X 70MM	2
6	HEKSABOLT M8 X 100MM	2
7	HEKSABOLT M8 X 60MM	12