

# Am Outdoor Dining Table

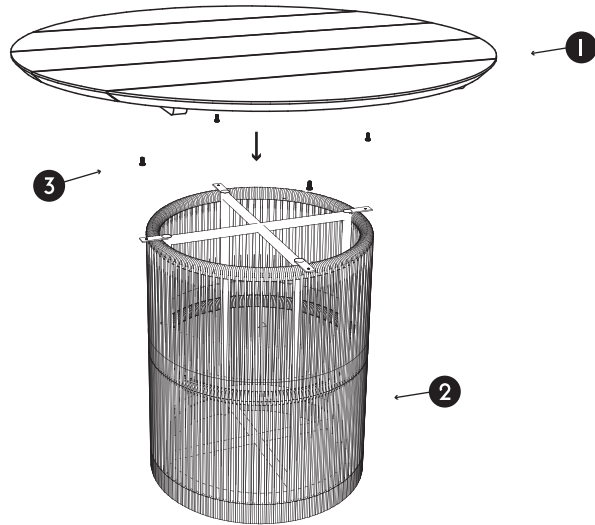
## ASSEMBLY INSTRUCTION

DARCYANDDUKE.COM.AU

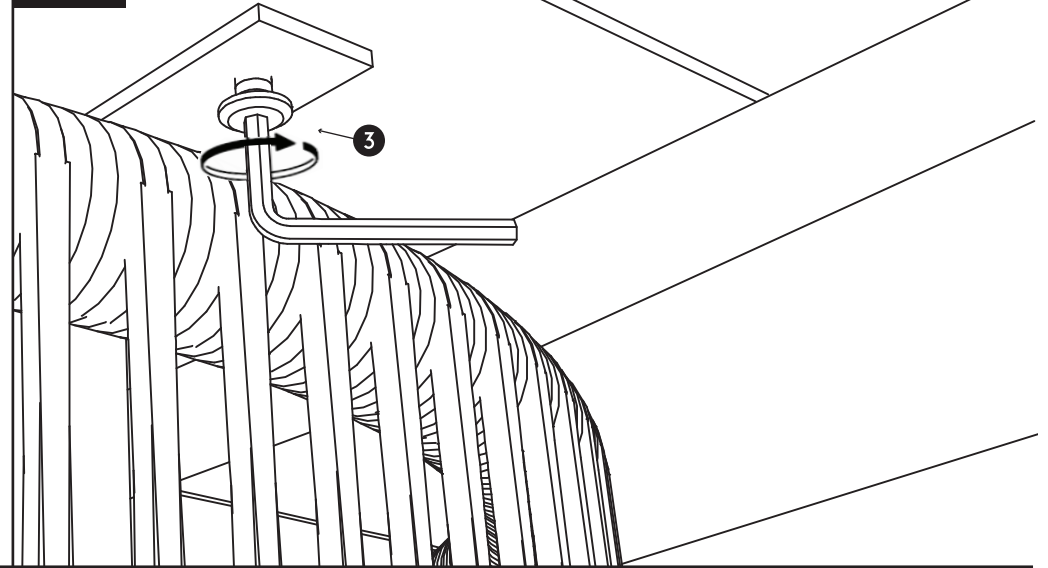
f @DARCYANDDUKE

DARCY  
& DUKE

### STEP 1



### STEP 2



## ALL PARTS LIST

NO.	DESCRIPTION OF PARTS	QTY/PC
1	TABLE TOP	1
2	TABLE BASE	1
3	M6 X 20MM	4
4	ALLEN KEY	1