

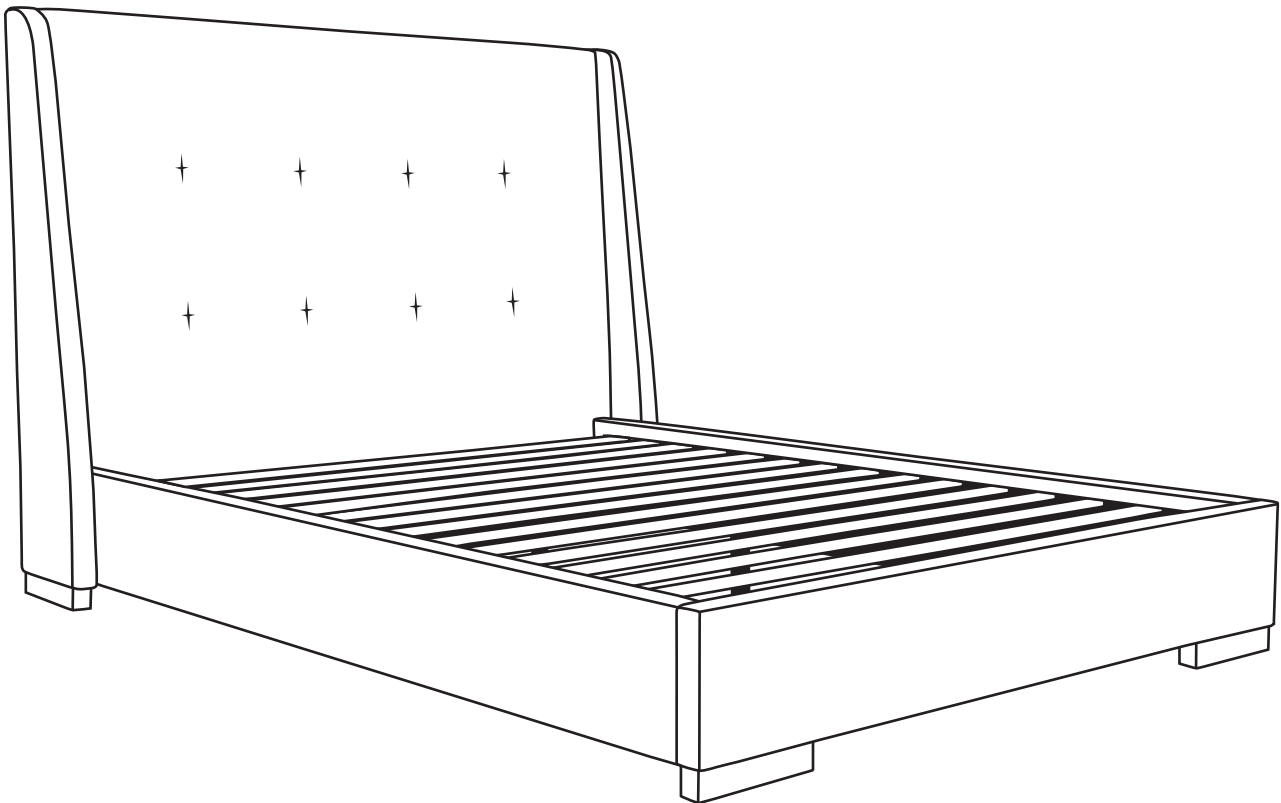
Dorian Bed King

ASSEMBLY INSTRUCTION

DARCYANDDUKE.COM.AU

  @DARCYANDDUKE

DARCY
& DUKE

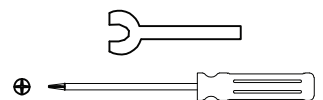


45 MINS

APPROXIMATE ASSEMBLY TIME



2 PERON ASSEMBLY



REQUIRED ASSEMBLY TOOLS

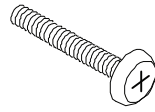
PLEASE NOTE: DO NOT FULLY TIGHTEN ALL SCREWS UNTIL THE ITEM IS ASSEMBLED. FULLY TIGHTEN SCREWS PRIOR TO STEP 5.

PAGE 1 OF 4

ALL PARTS



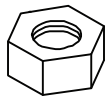
**A. BOLTS X 20
M8 X 40MM**



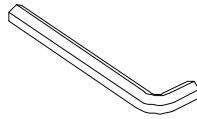
**B. BOLTS X 8
M8 X 45MM**



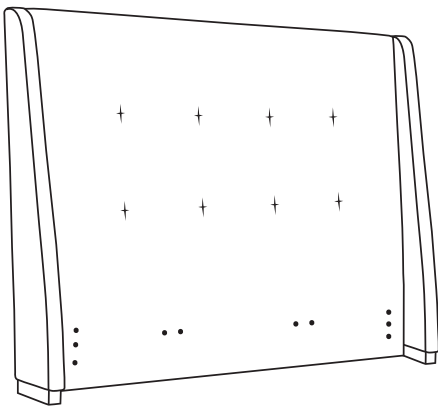
**C. WASHER
X 20 (M8)**



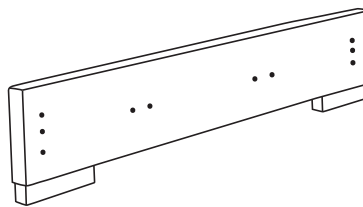
D. NUT X 8 (M8)



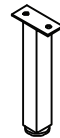
E. ALLEN KEY X 1 M8



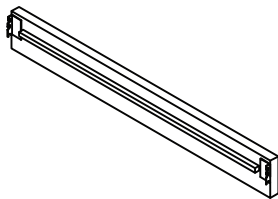
HEADBOARD X 1



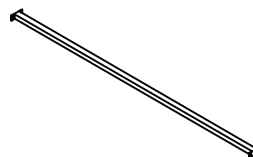
FOOTBOARD X 1



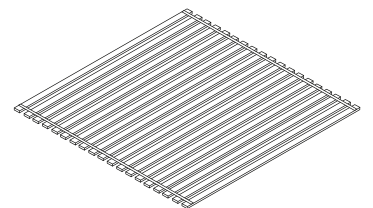
ADJUSTABLE SUPPORT LEG X 4



SIDE RAIL X 2 (R&L)

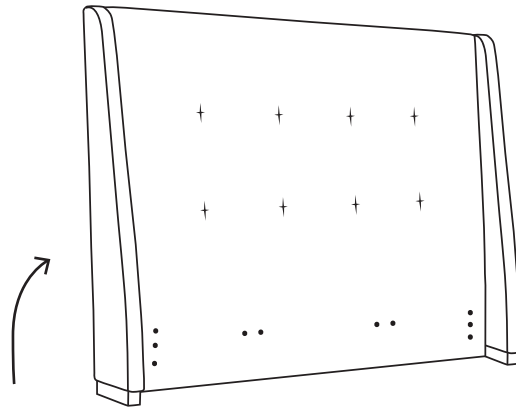


SUPPORT BAR X 2



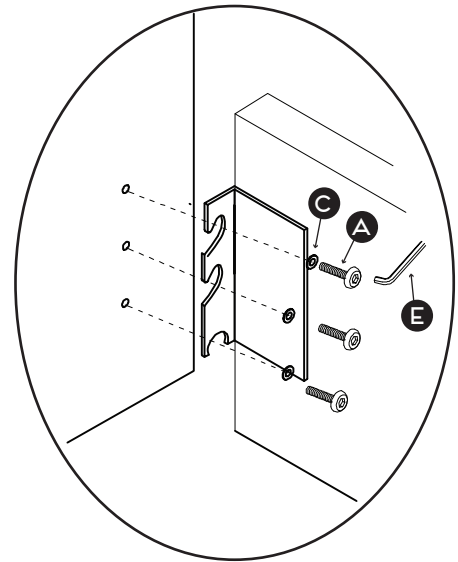
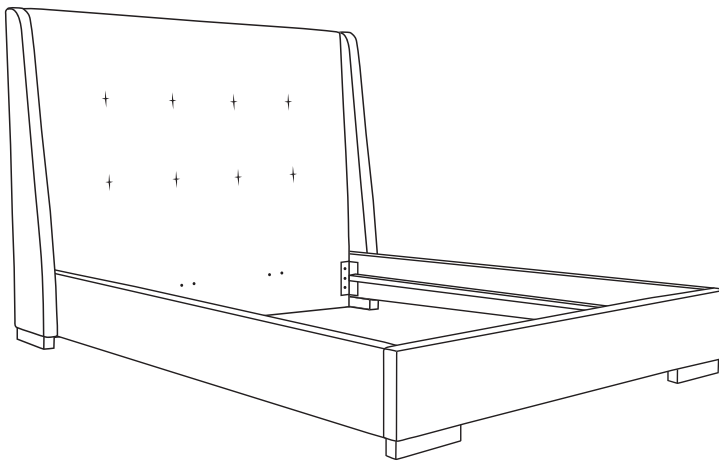
SLATS X 1

STEP 1



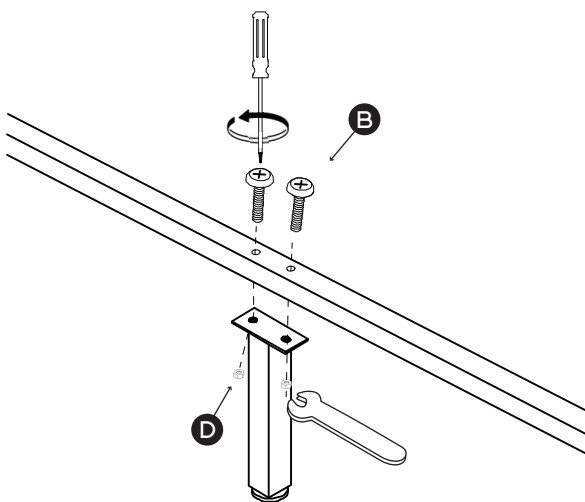
STAND THE HEADBOARD UPRIGHT

STEP 2



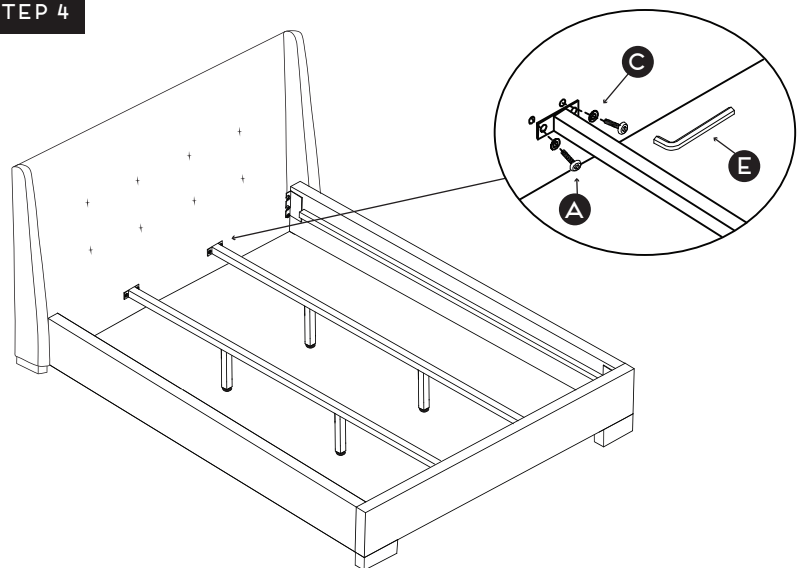
FIX THE SIDERAILS TO THE HEADBOARD AND FOOTBOARD

STEP 3



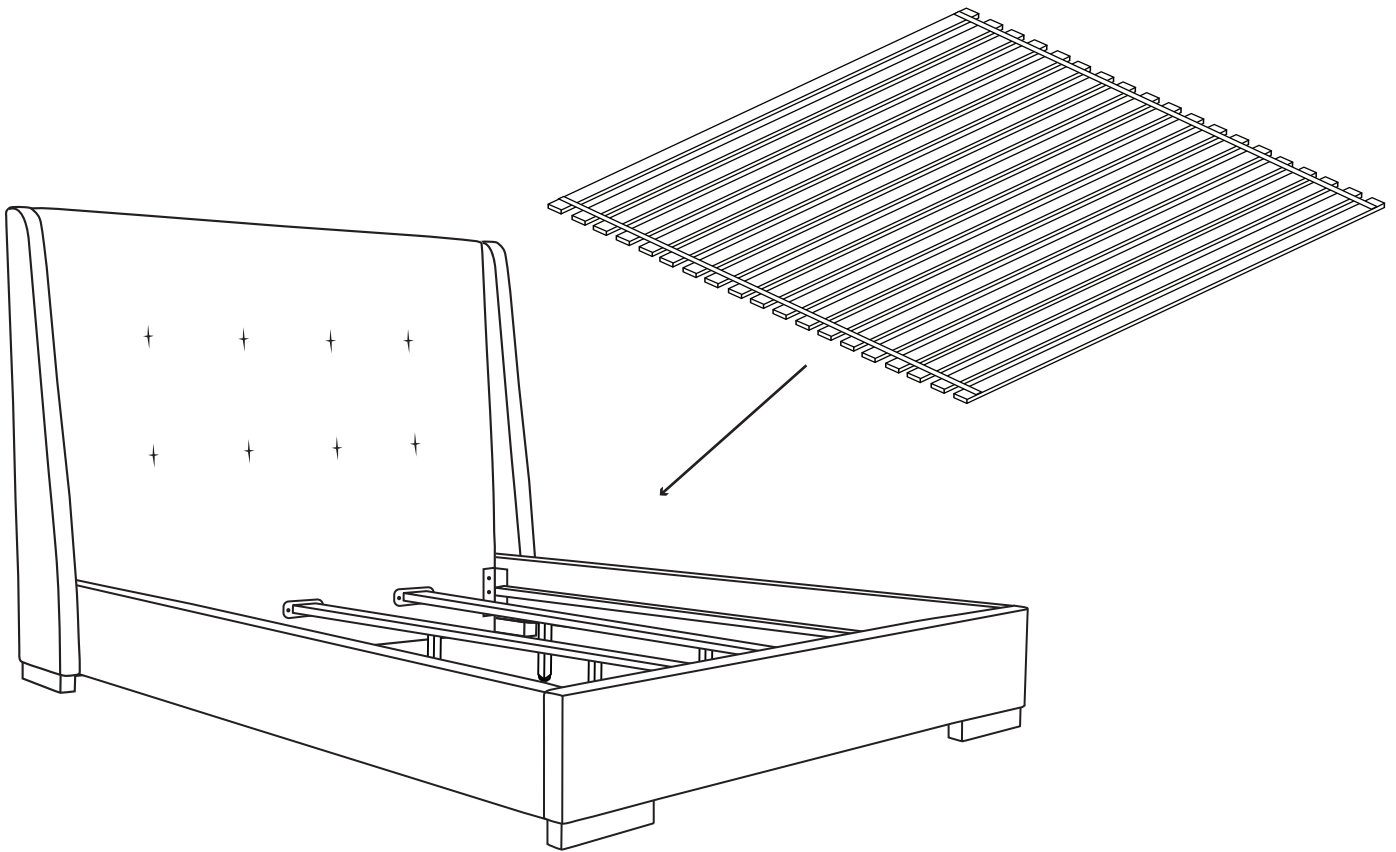
FIX THE ADJUSTABLE SUPPORT LEGS TO THE SUPPORT BARS

STEP 4



FIX THE SUPPORT BARS TO THE HEADBOARD AND FOOTBOARD

STEP 5



TIGHTEN ALL BOLTS AND PLACE DOWN SLATS.

